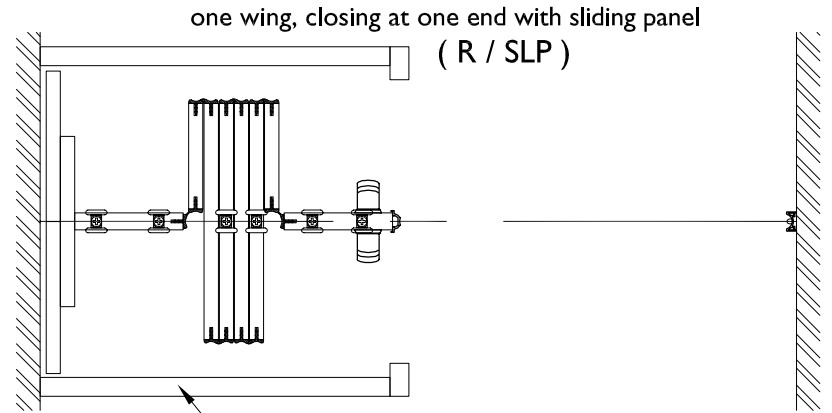
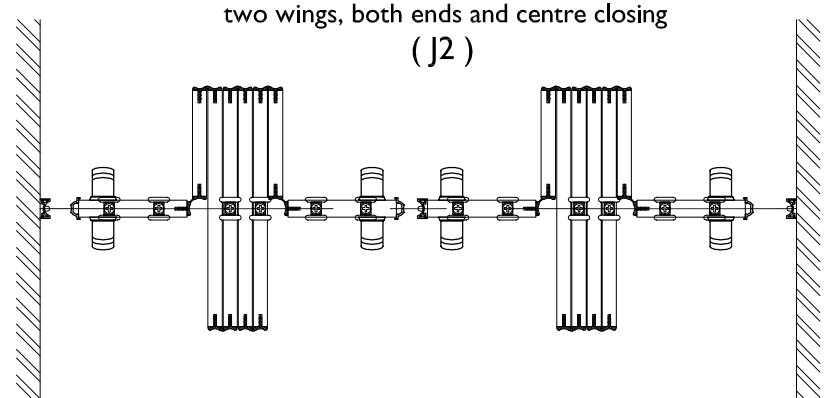
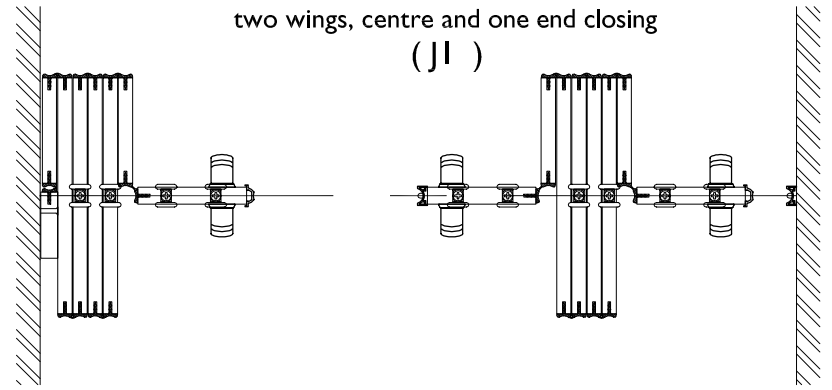
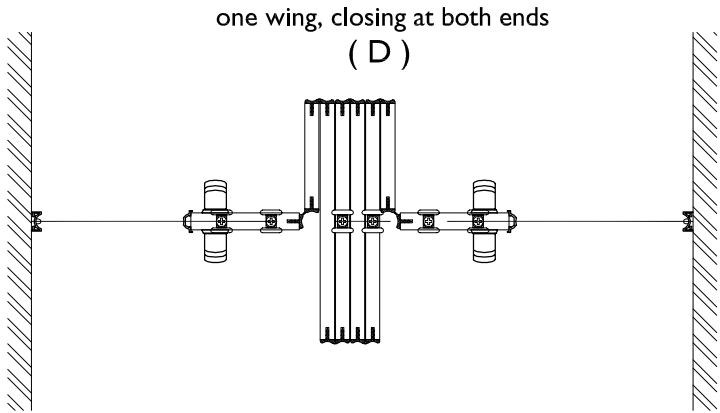
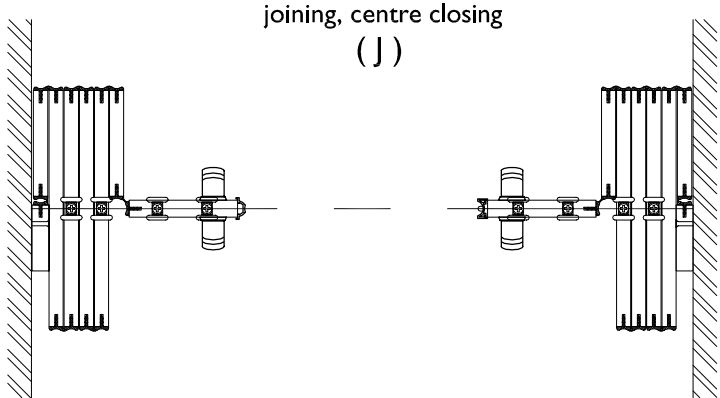
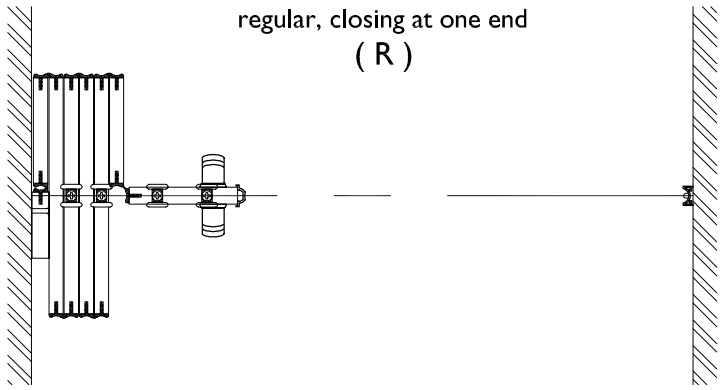




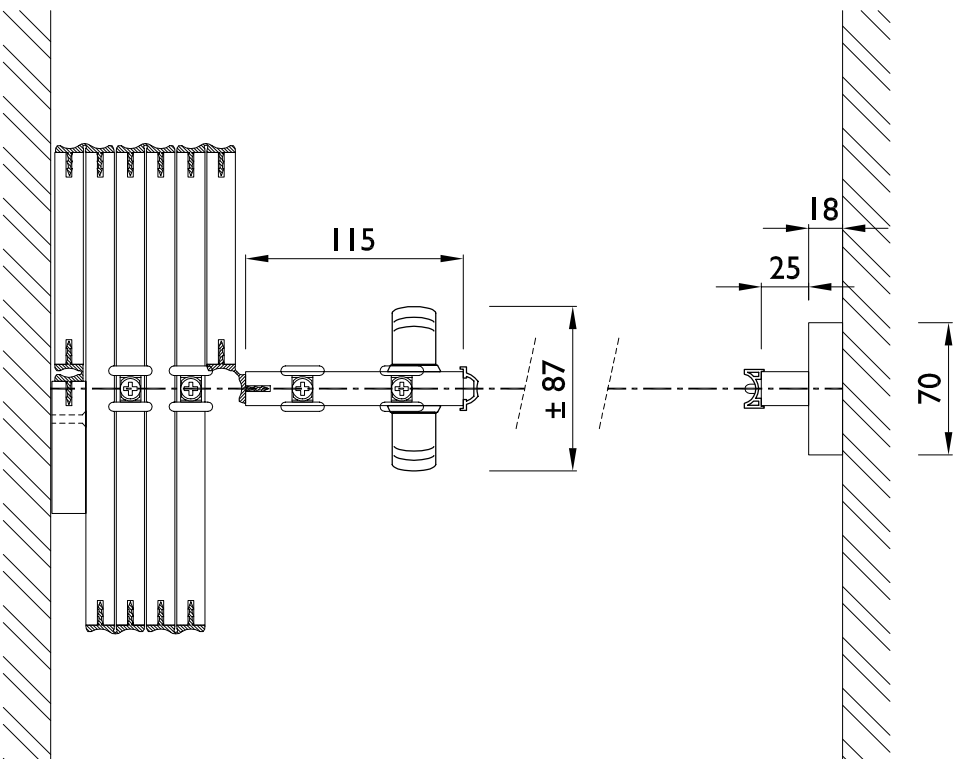
designed
for space
movable walls &
folding partitions
Pantofgen, The Netherlands

Mono
various executions



pocket or niche in principal by others

MONO-101	Date	1-8
	Scale	A4
	Drawn	FR
	Revision	Date
	By	



designed
for space

movable walls &
folding partitions
Pantofogen, The Netherlands

Mono

regular wall with standard closing post
and (supplied) fixing strip for jambmould

use or no use of the strips are situation dependend

Date	
Scale	1:4
Size	A4
Drawn	FR
Revision	Date
	By

MONO-102



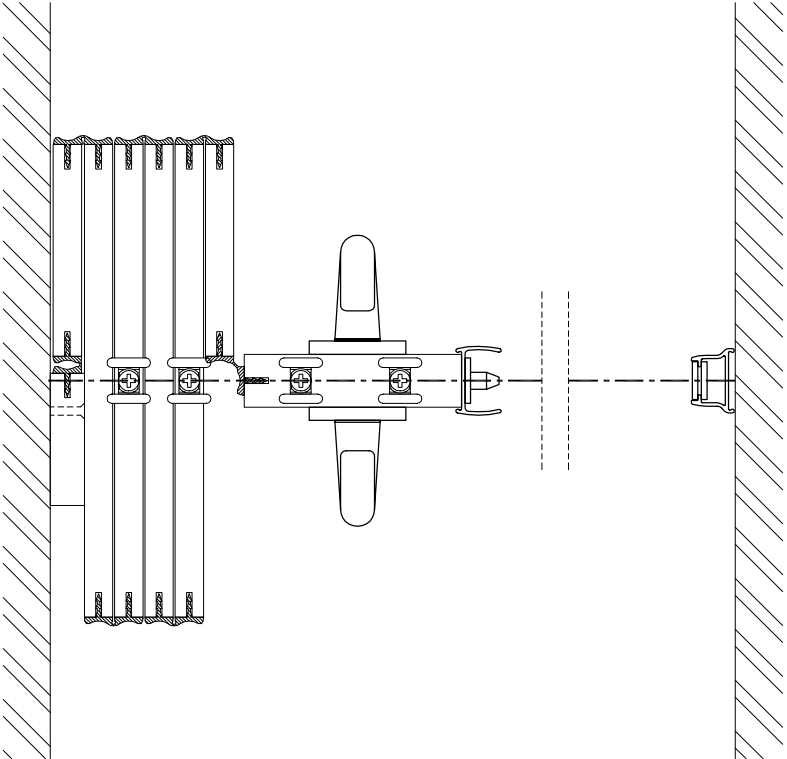
movable walls &
folding partitions
Pantofgen, The Netherlands

designed
for space

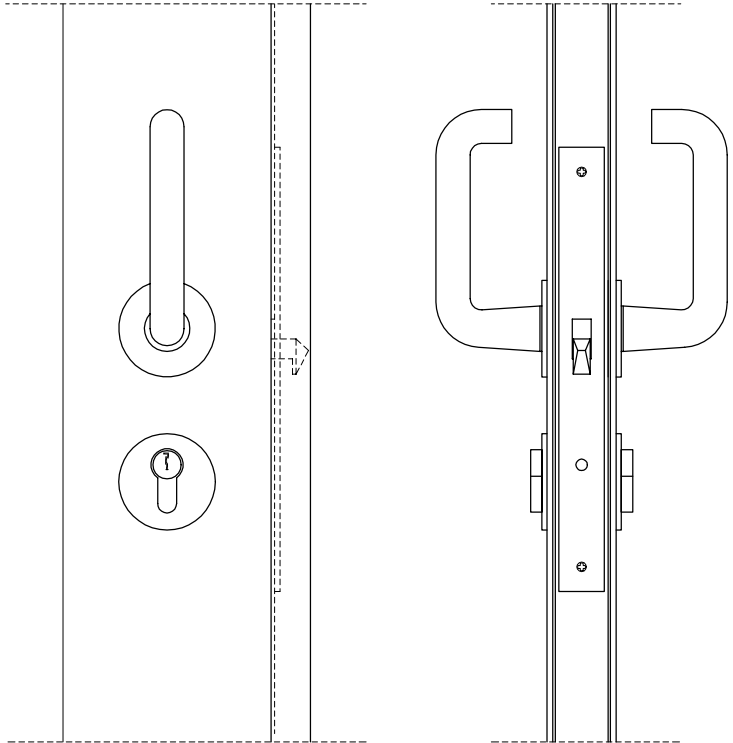
Mono

enlarged closing post
views

cross section MONO mwith enlarged closing post



side and front view



Date

Scale 1:4

Size A4

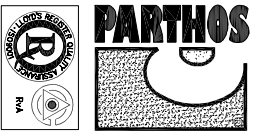
Drawn FR

Revision

Date

By

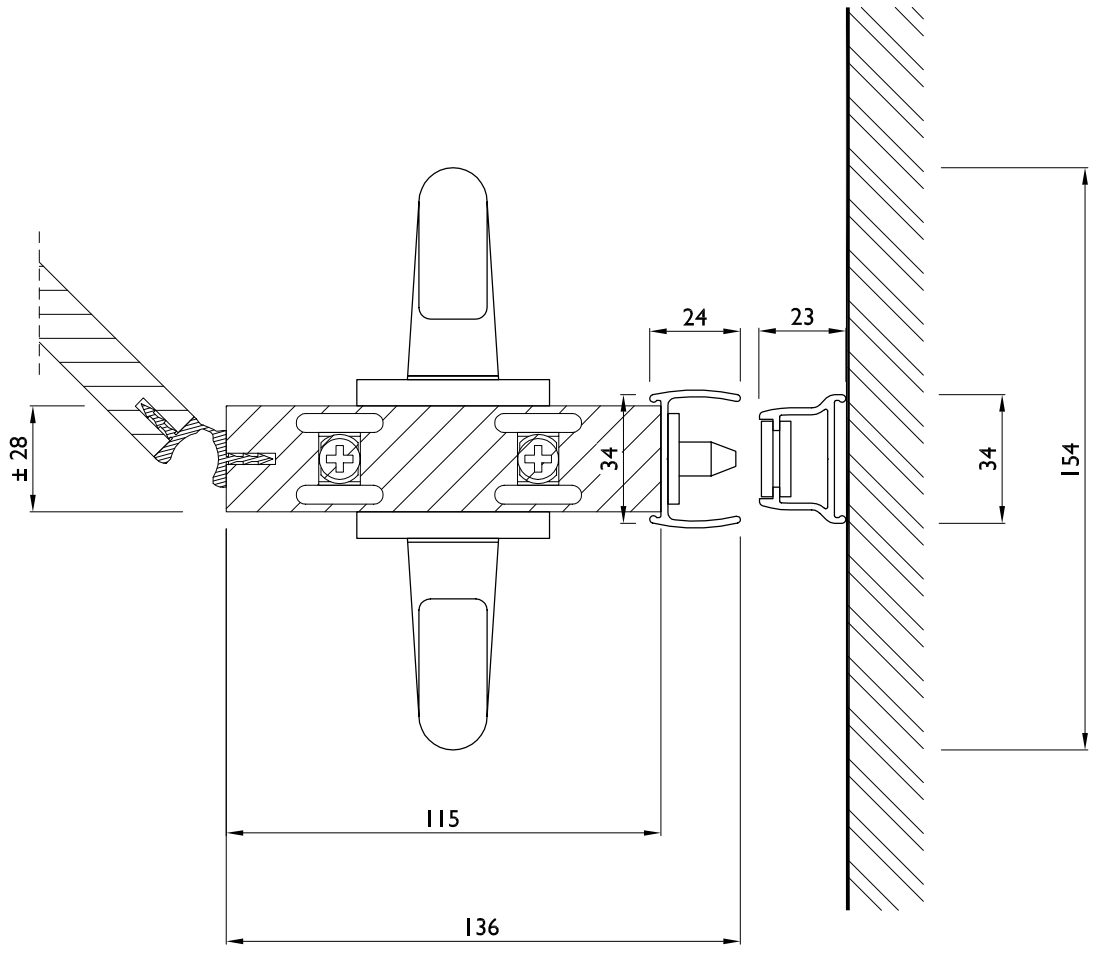
MONO-103



**designed
for space**
movable walls &
folding partitions
Pantofgen, The Netherlands

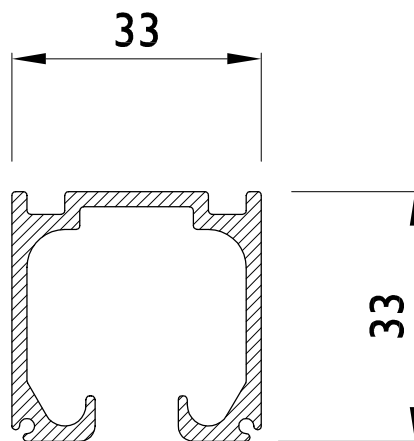
Mono

enlarged closing post with euro-cylinder lock



Date	1:2	
Scale	A4	
Size	FR	
Drawn		
Revision	Date	By

MONO-104



**designed
for space**



**movable walls &
folding partitions**
Panningen, The Netherlands

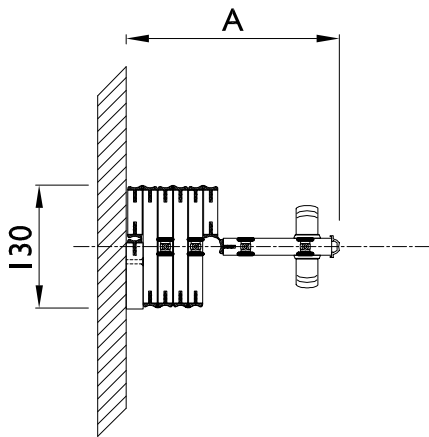
Mono

track

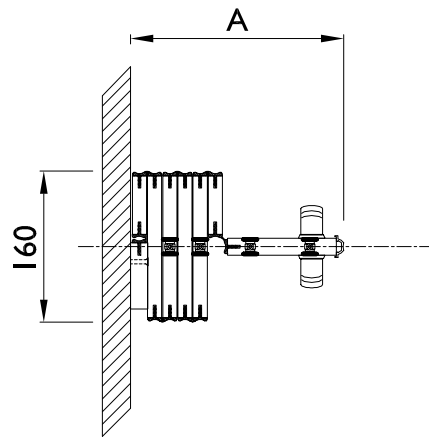
Date		
Scale	1:1	
Size	A4	
Drawn	FR	
Revision	Date	By

MONO-I05

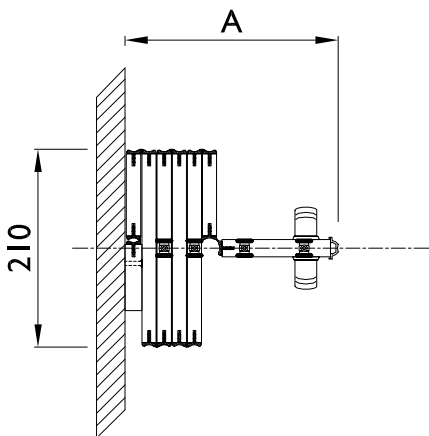
type 12



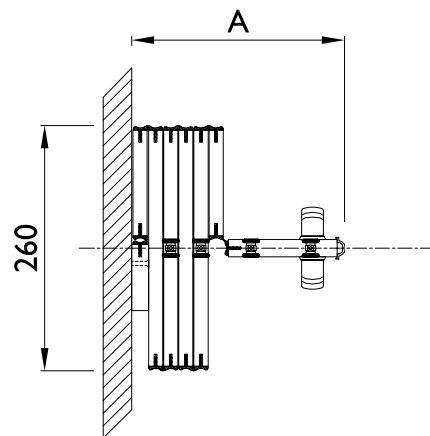
type 15



type 20



type 25



**designed
for space**



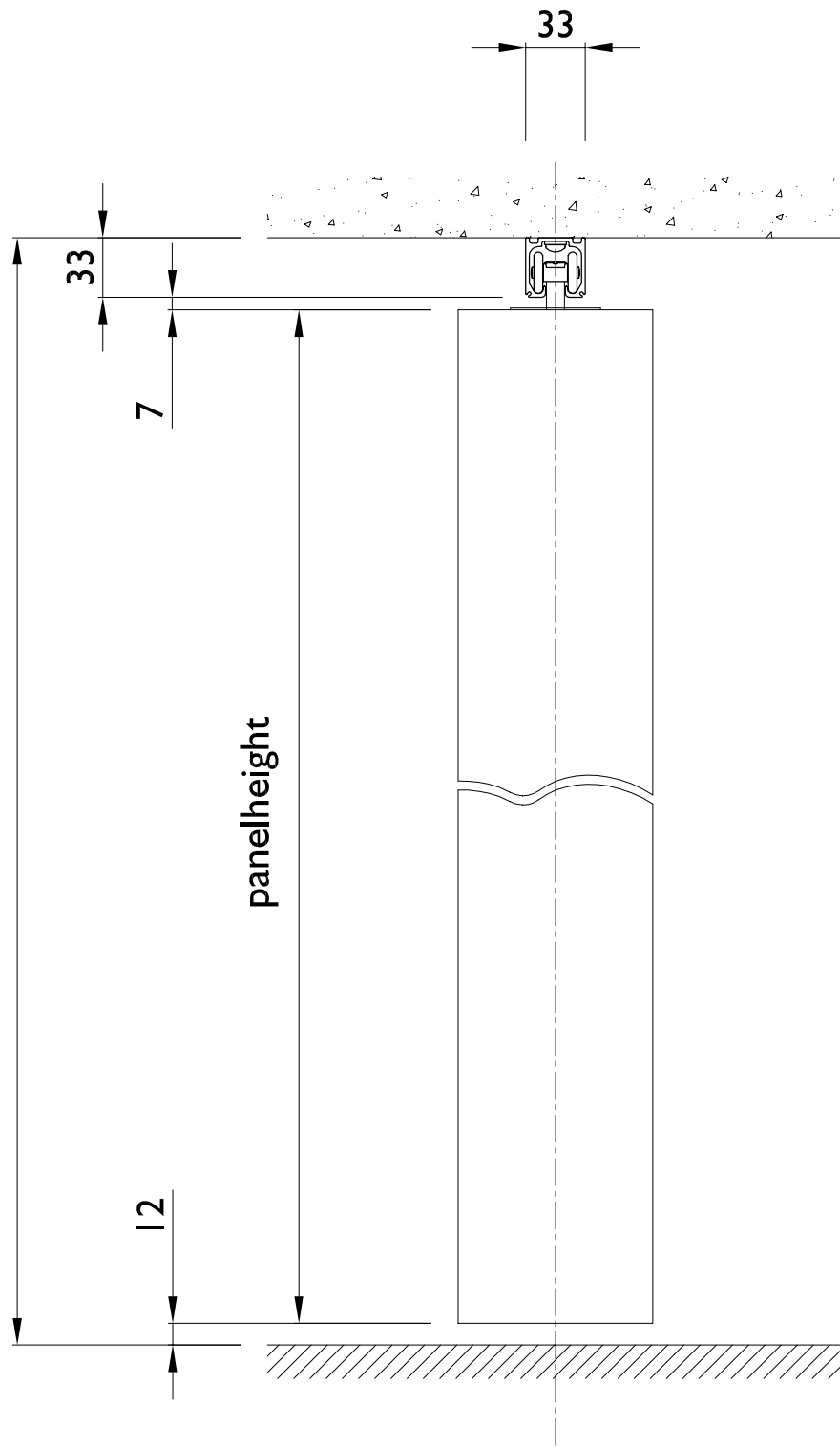
**movable walls &
folding partitions**
Panningen, The Netherlands

Mono

stack dimensions with standard endpost
depth "A" = 165 mm + number of full panels x 16 mm

Date		
Scale	1:8	
Size	A4	
Drawn	FR	
Revision	Date	By

MONO-I06



designed
for space



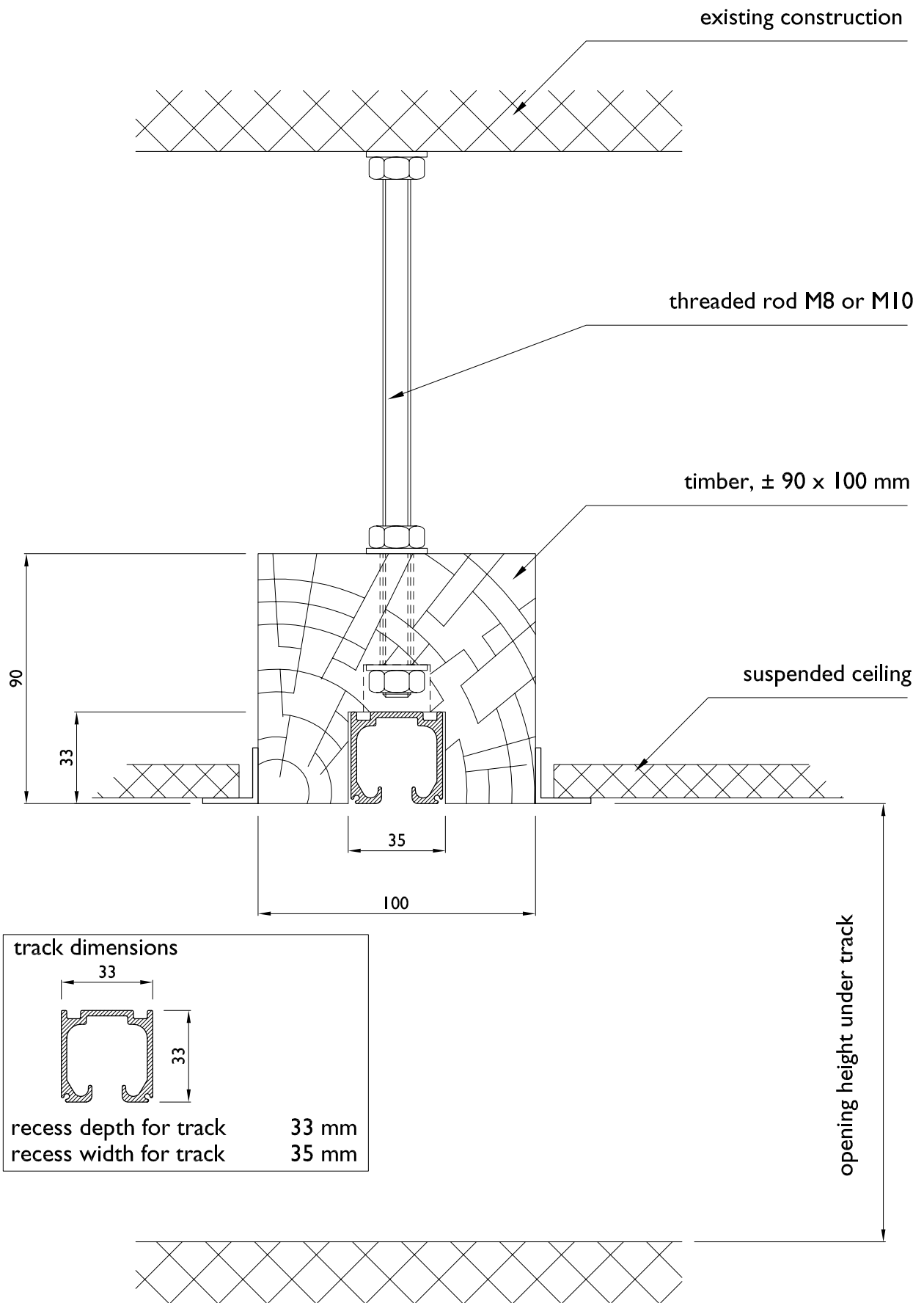
movable walls &
folding partitions
Panningen, The Netherlands

Mono folding wall

vertical cross section

Date		
Scale	1:4	
Size	A4	
Drawn	FR	
Revision	Date	By

MONO-I07



Important: bottom suspended ceiling may never be lower than bottom of track



designed for space



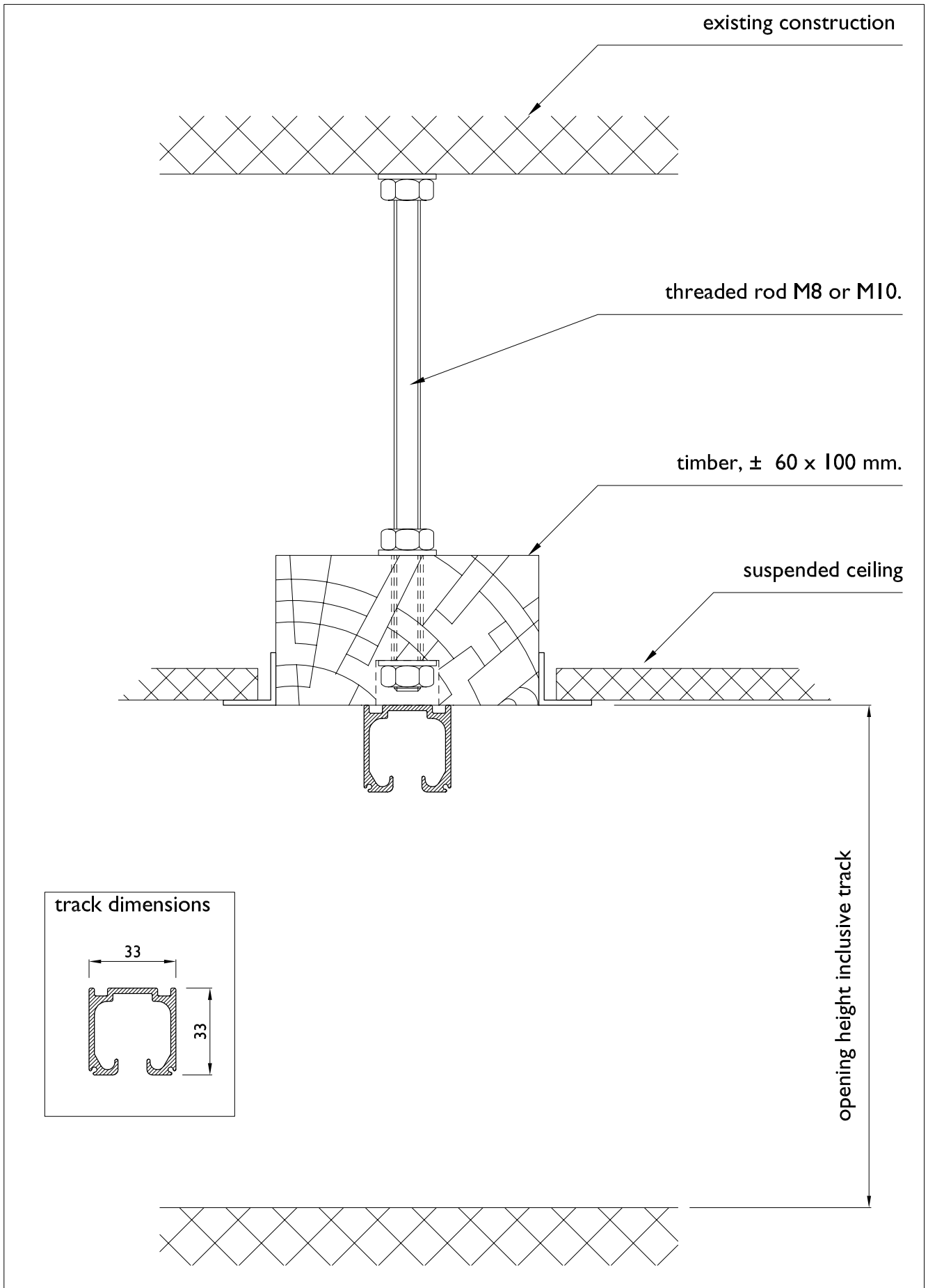
movable walls & folding partitions
Panningen, The Netherlands

Mono

example track fixing with suspended ceilings
track build in

Date		
Scale	1:2	
Size	A4	
Drawn	FR	
Revision	Date	By

MONO-120



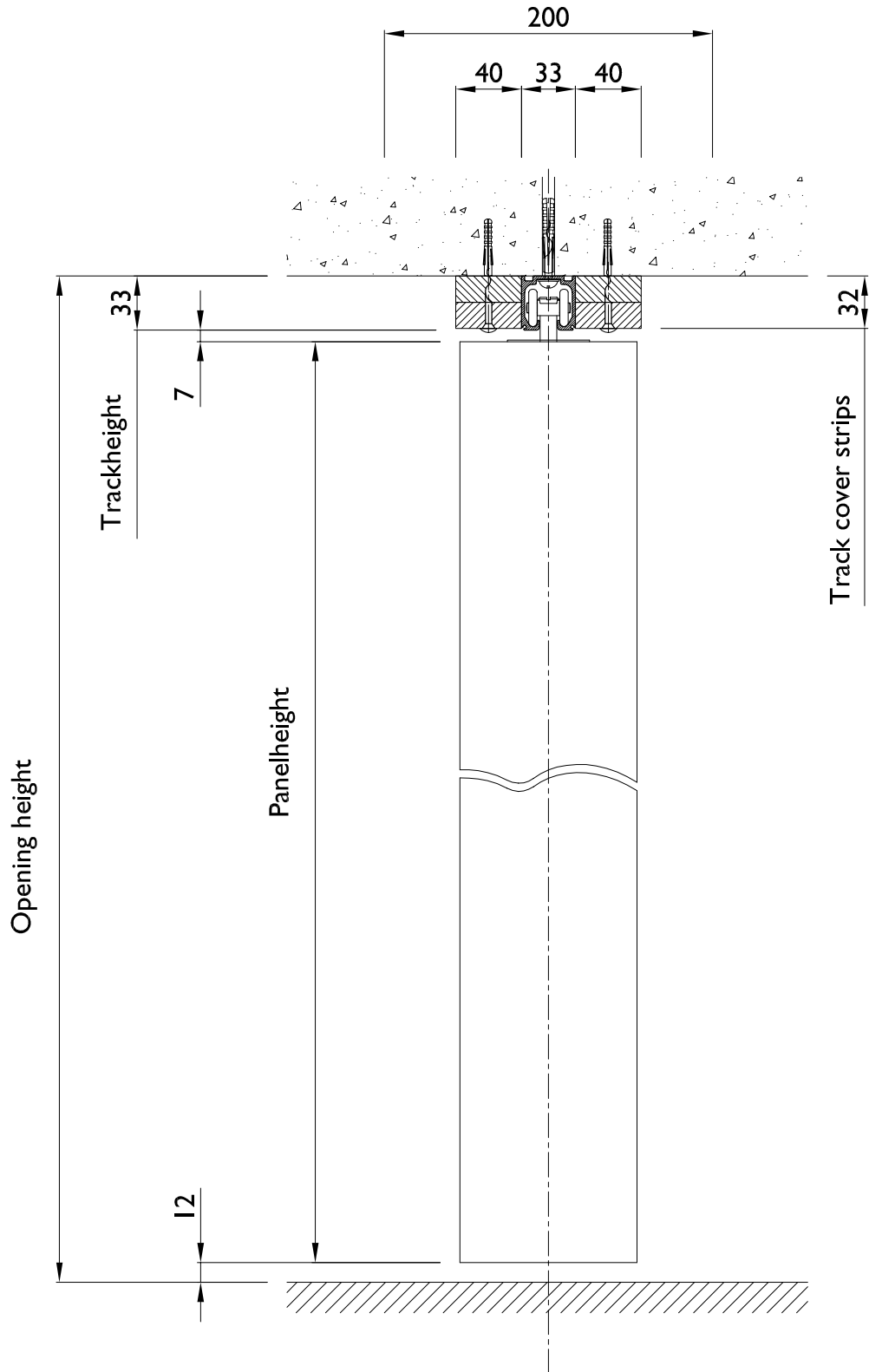
PARTHOS
designed for space

movable walls & folding partitions
Panningen, The Netherlands

RvA

Mono
example track fixing with suspended ceilings
track in sight

Date		
Scale	1:2	
Size	A4	
Drawn	FR	
Revision	Date	By
MONO-121		



designed
for space



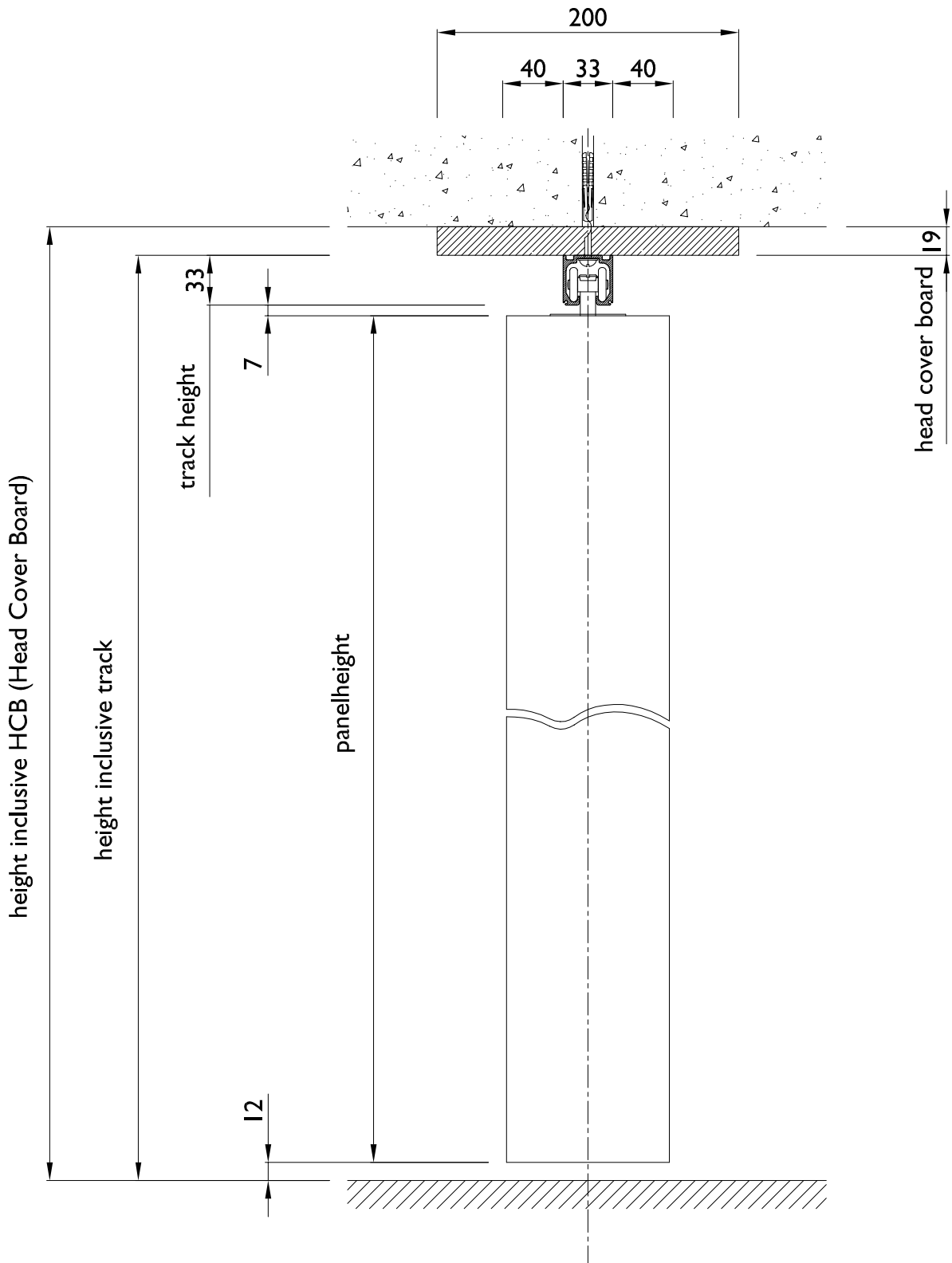
movable walls &
folding partitions
Panningen, The Netherlands

Mono folding wall

vertical cross section with track cover strips

Date		
Scale	1:4	
Size	A4	
Drawn	FR	
Revision	Date	By

MONO + TRC



designed for space



movable walls & folding partitions
Panningen, The Netherlands

Mono folding wall

vertical cross section
wall inclusive head cover board

note: head cover board available in white only

Date	31-08-2001	
Scale	1:4	
Size	A4	
Drawn	FR	
Revision	Date	By

MONO+HCB



opening height inclusive HCB (Head Cover Board)

height inclusive track

height of track

panelheight

track cover strip

head cover board