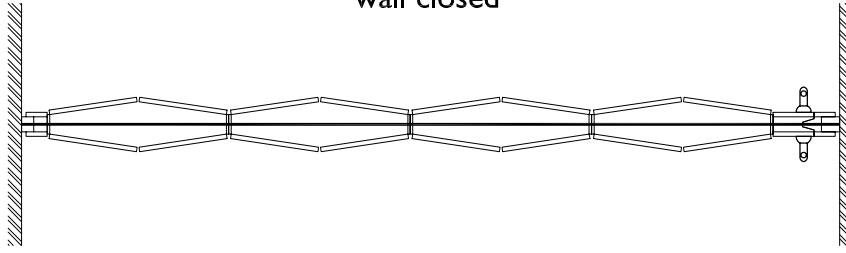
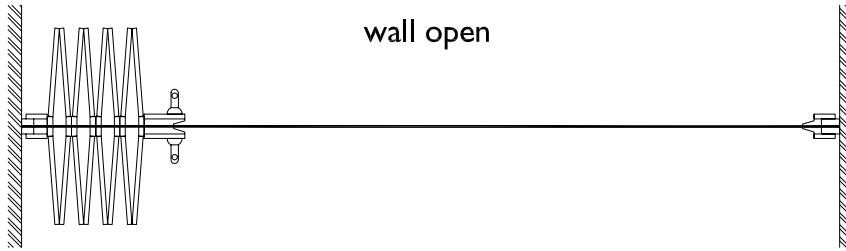


one wing accordeon

wall closed

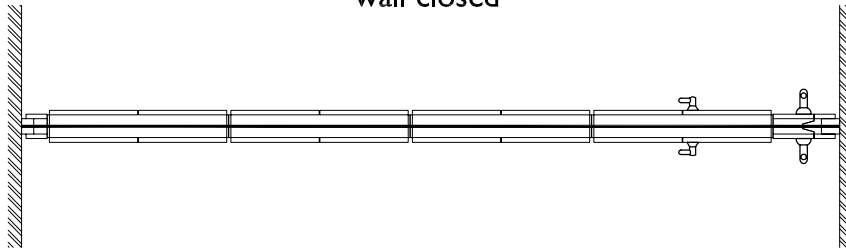


wall open

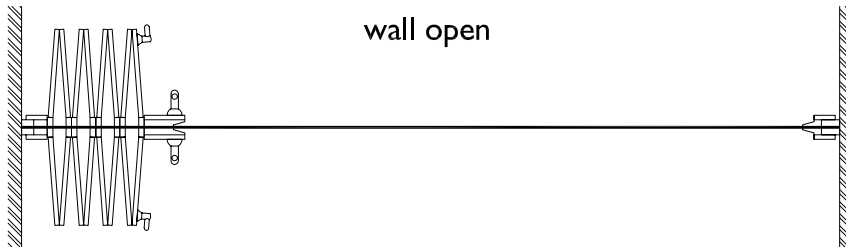


one wing plan

wall closed



wall open



designed
for space



movable walls &
folding partitions
Panningen, The Netherlands

Phonic general

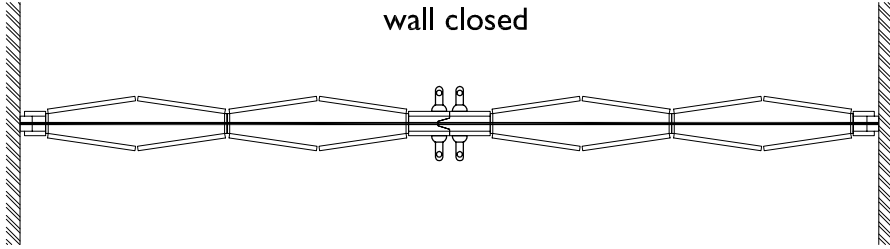
one wing accordeon / plan
(regular execution)

Date		
Scale	1:25	
Size	A4	
Drawn	FR	
Revision	Date	By

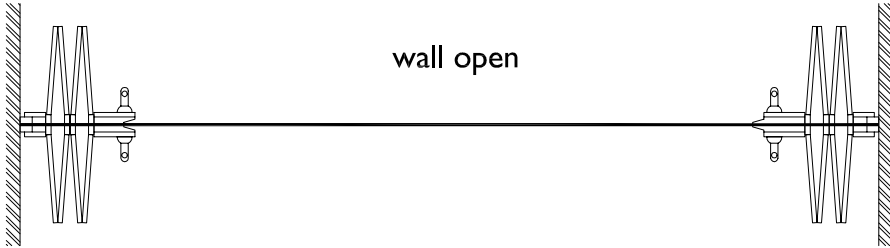
PHONIC-101

two wings accordeon

wall closed

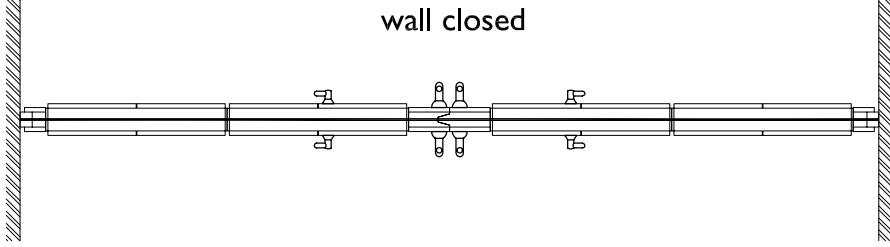


wall open

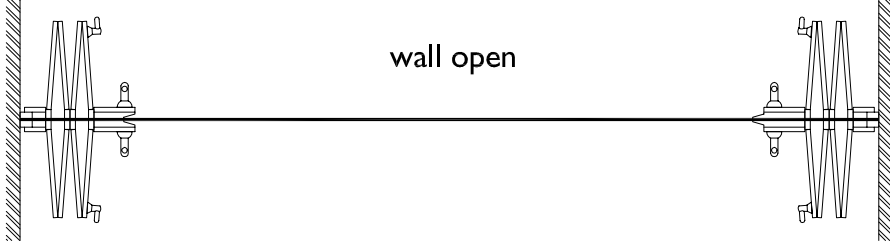


two wings plan

wall closed



wall open



designed for space



movable walls & folding partitions
Panningen, The Netherlands

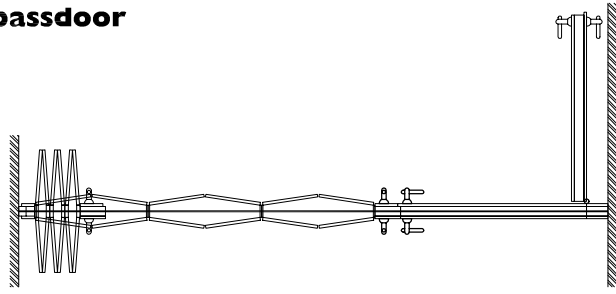
Phonic general

two wings accordeon / plan
(joining execution)

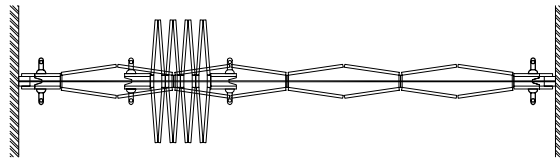
Date		
Scale	1:25	
Size	A4	
Drawn	FR	
Revision	Date	By

PHONIC-102

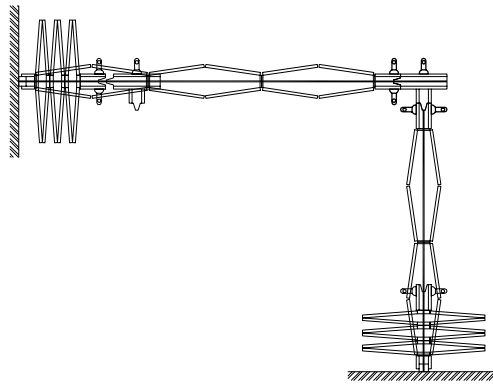
regular accordeon with pasdoor



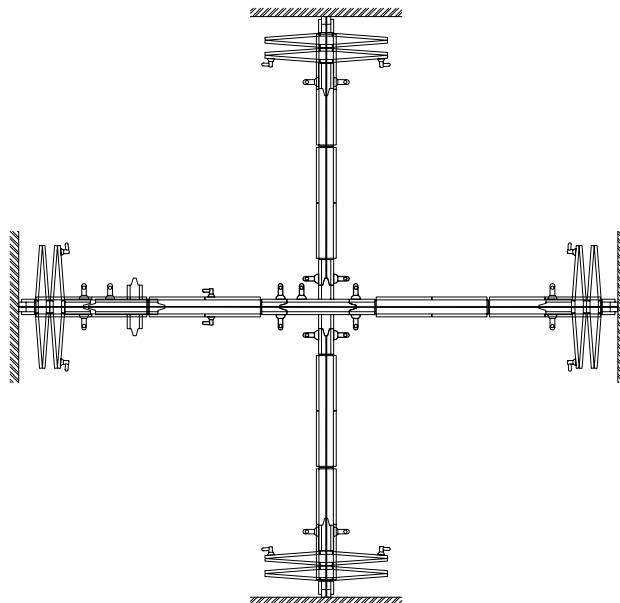
regular accordeon, opening at both ends



2 regular accordeon, with 90° 2-way post



4 regular plan, with 90° 4-way post



**designed
for space**



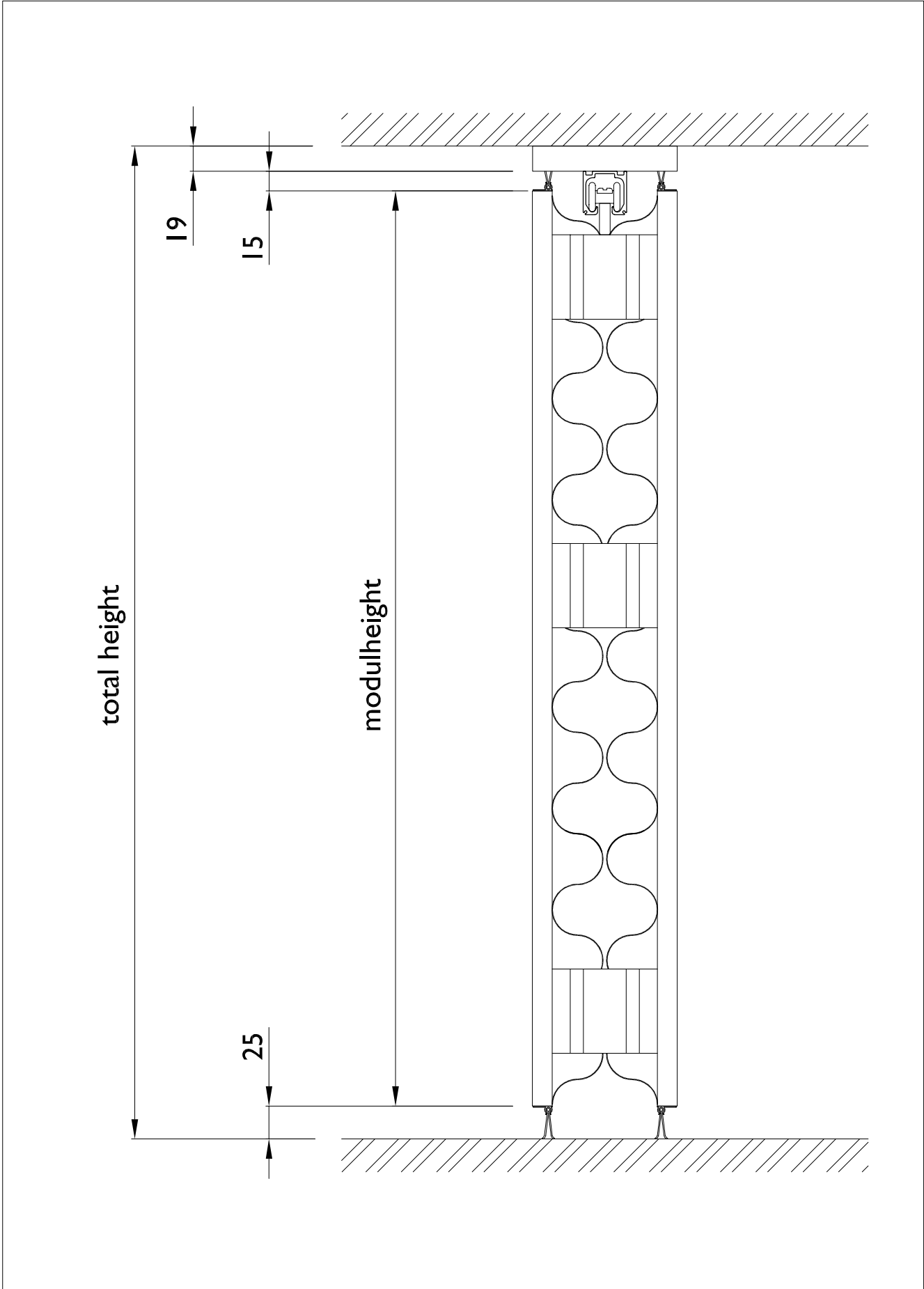
**movable walls &
folding partitions**
Panningen, The Netherlands

Phonic general

some example possibilities

Date		
Scale	1:40	
Size	A4	
Drawn	FR	
Revision	Date	By

PHONIC-103



designed
for space



movable walls &
folding partitions
Panningen, The Netherlands

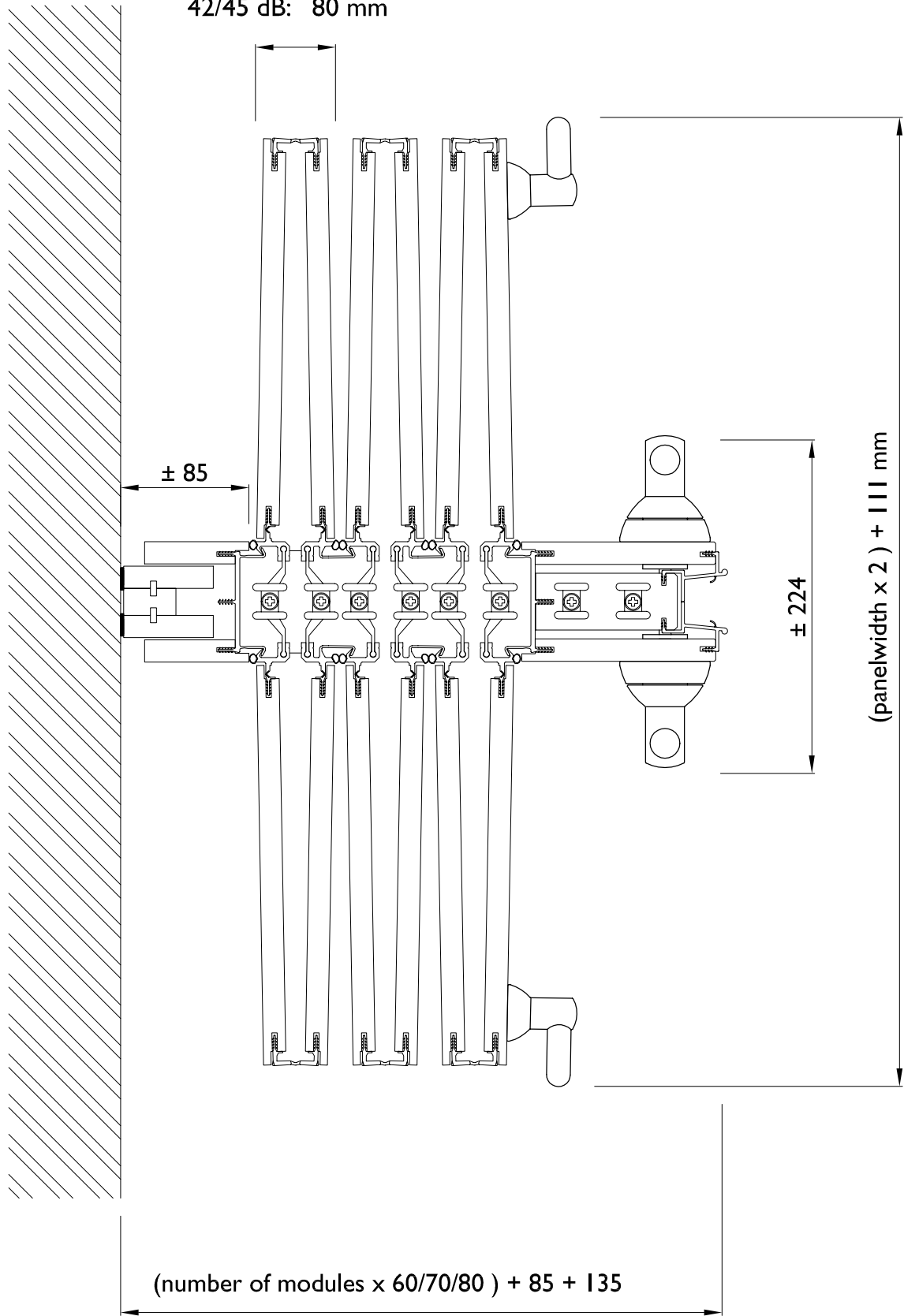
Phonic general

vertical cross section

Date		
Scale	1:4	
Size	A4	
Drawn	FR	
Revision	Date	By

PHONIC-104

36 dB: 60 mm
 40 dB: 70 mm
 42/45 dB: 80 mm



designed
for space



movable walls &
folding partitions
Panningen, The Netherlands

Phonic general

stack dimensions

Date		
Scale	1:4	
Size	A4	
Drawn	FR	
Revision	Date	By

PHONIC-105



movable walls &
folding partitions
Pantofogen, The Netherlands

designed
for space

Phonic general

Wall Stanchion Closing

Installation sequence and dimensions

Date

Scale 1:2

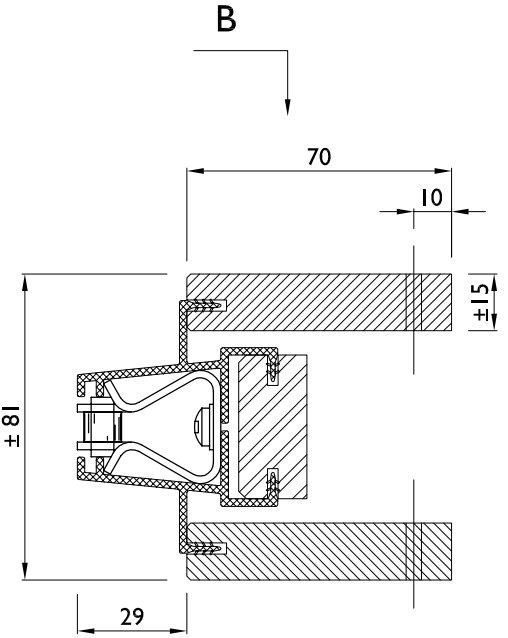
Size A4

Drawn FR

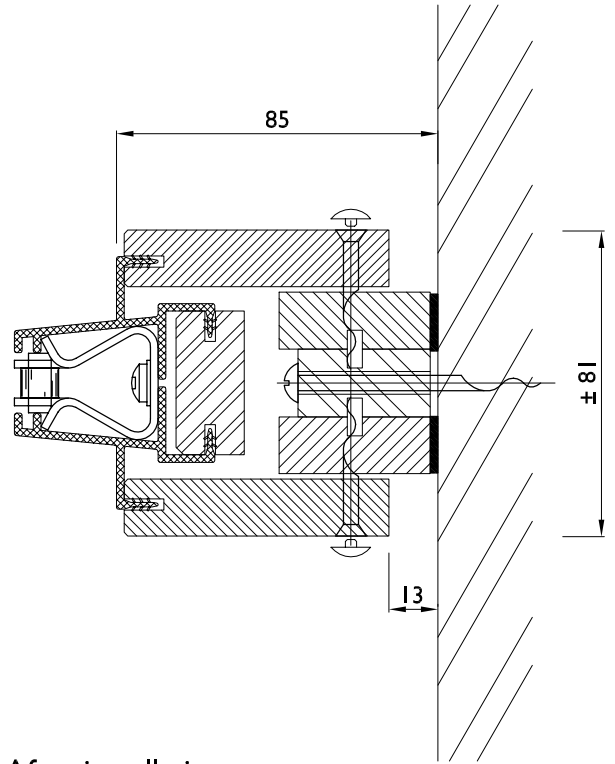
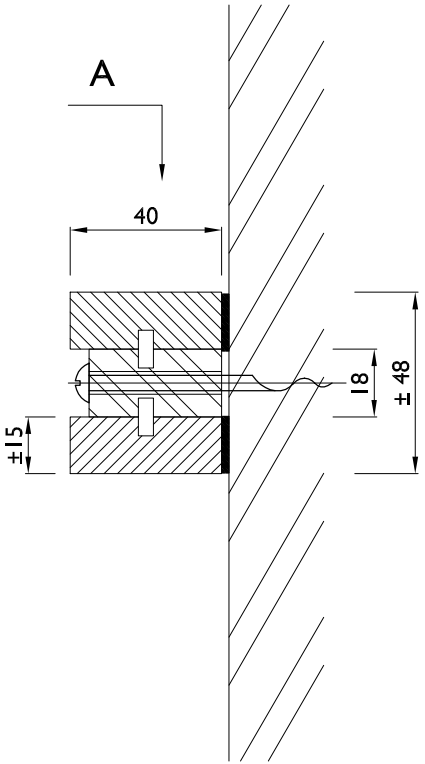
Revision Date

By

PHONIC-106



Installation sequence

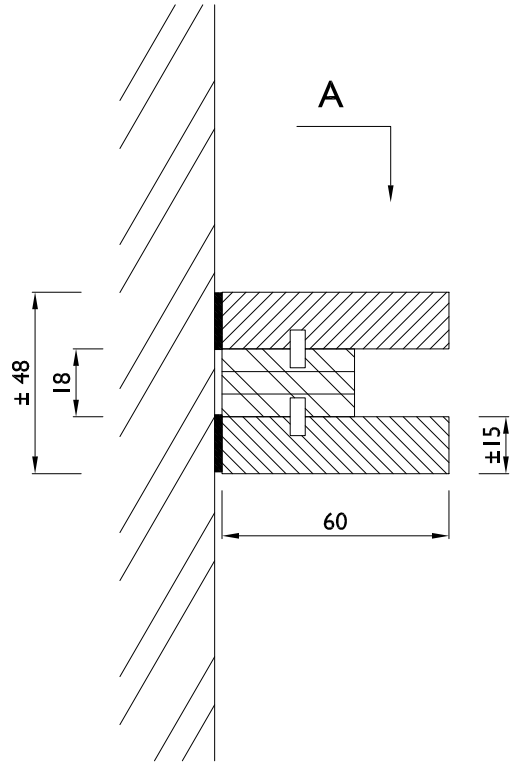


After installation

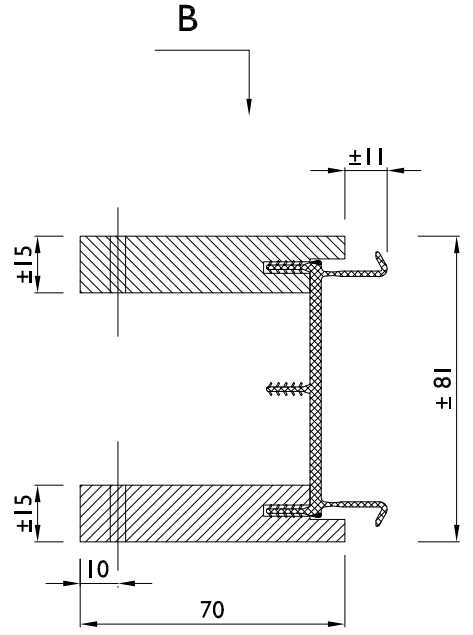


PARTHOS
 designed for space
 movable walls &
 folding partitions
 Pantofogen, The Netherlands

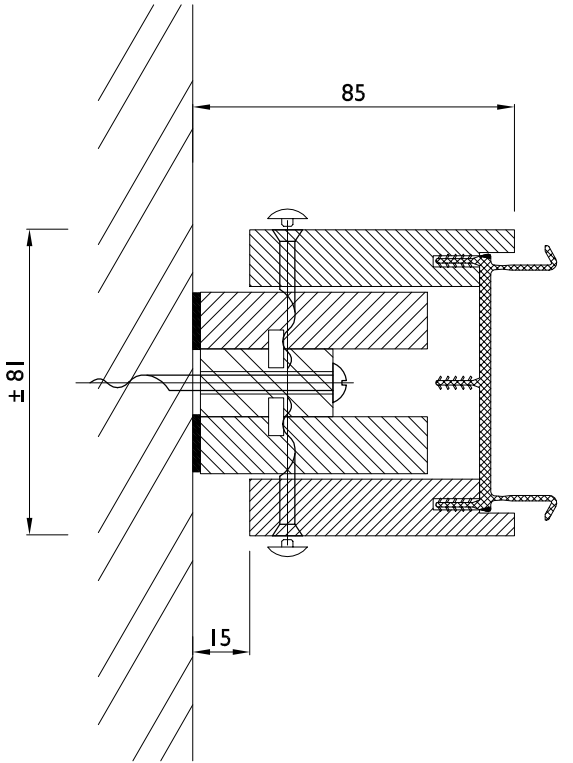
Phonic general
 Wall Stanchion Variable
 Installation sequence and dimensions



Installation sequence



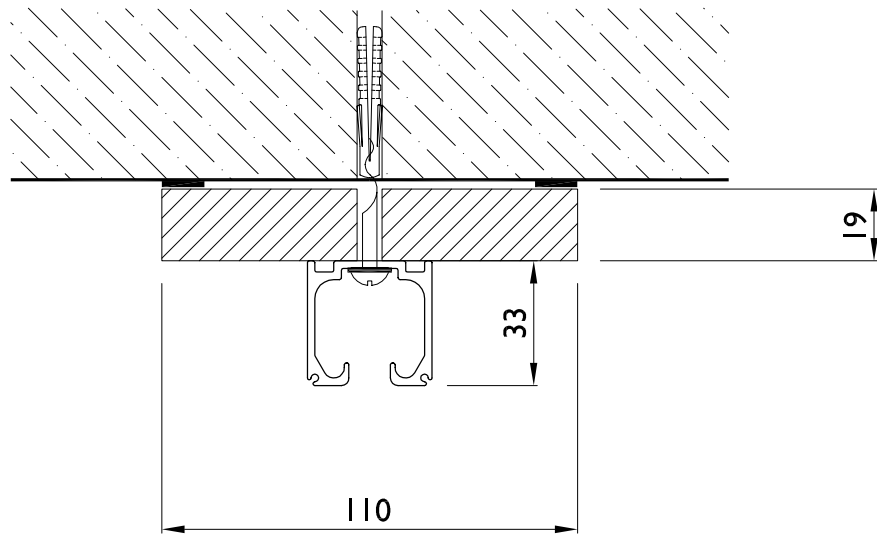
After installation



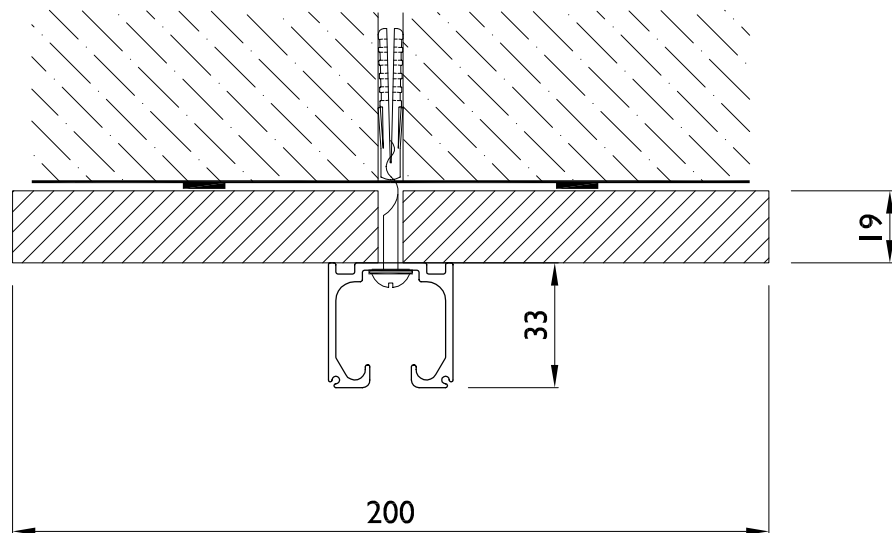
Date	1:2
Scale	A4
Size	FR
Drawn	
Revision	Date
	By

PHONIC-107

for plan (flat) version



for accordeon version



designed
for space



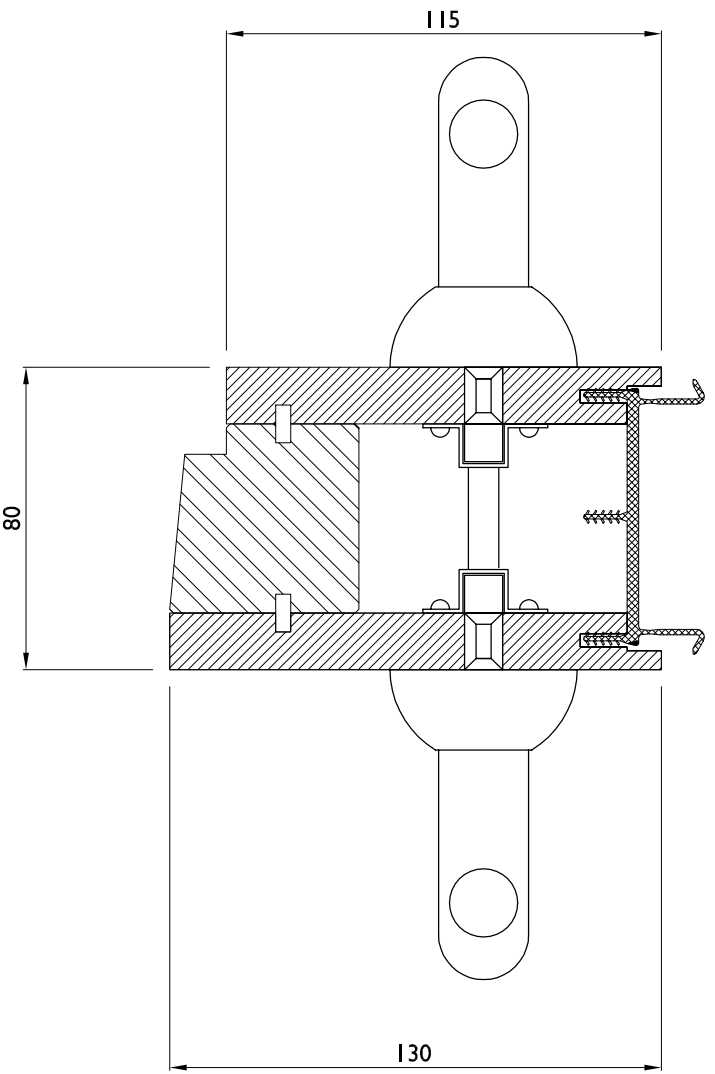
movable walls &
folding partitions
Panningen, The Netherlands

Phonic general

headcoverboard and track

Date		
Scale	1:2	
Size	A4	
Drawn	FR	
Revision	Date	By

PHONIC-108



**designed
for space**

movable walls &
folding partitions
Pantofogen, The Netherlands

Phonic

Closing Post Pasdoor (CPP)

cross section

Date 14-06-2001

Scale 1:2

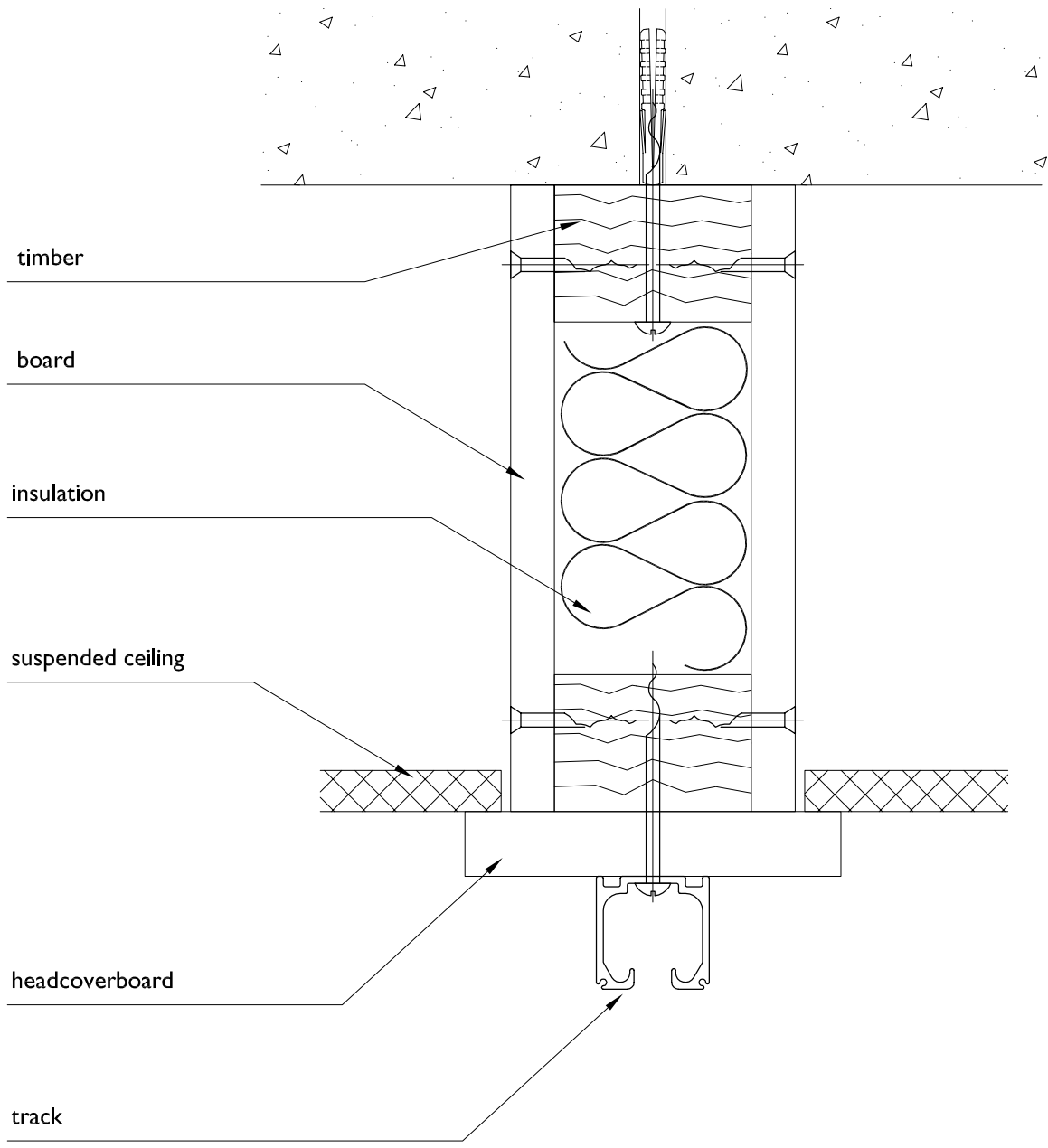
Size A4

Drawn FR

Revision Date

By

PHONIC-109



**designed
for space**



**movable walls &
folding partitions**
Panningen, The Netherlands

Phonic general

**example track fixing with suspended
ceiling and high dB value**

Date		
Scale	1:2	
Size	A4	
Drawn	FR	
Revision	Date	By

PHONIC-110



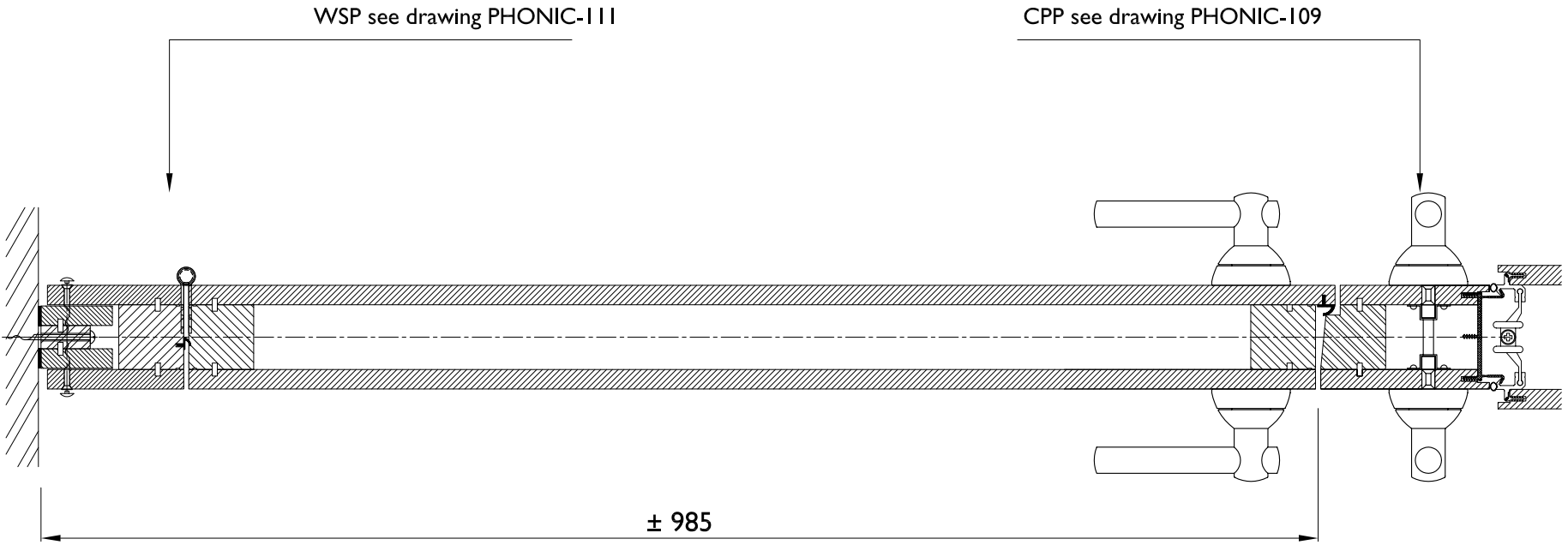
movable walls &
folding partitions
Pantungen, The Netherlands



designed
for space

Phonic

Passdoor (PC)
cross section



Date 18-07-2001

Scale 1:5

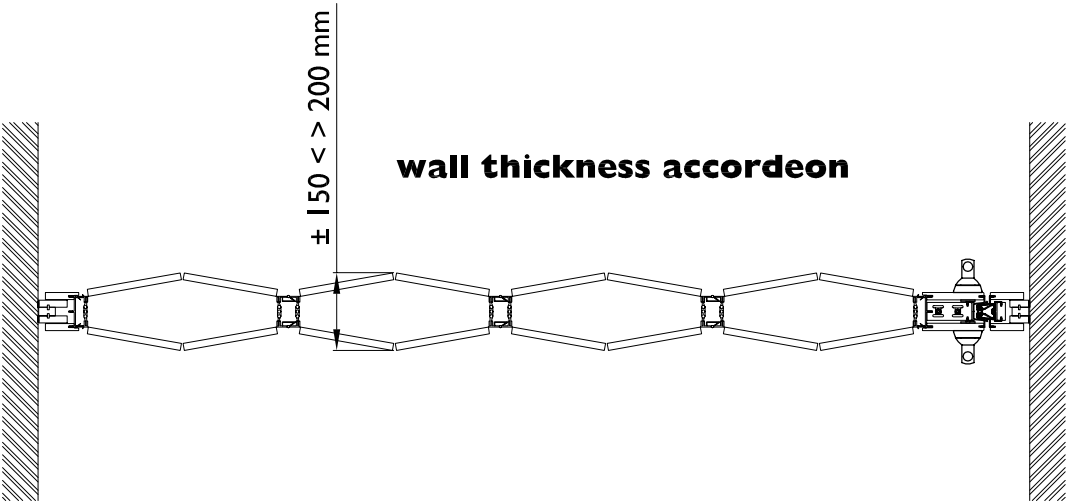
Size A4

Drawn FR

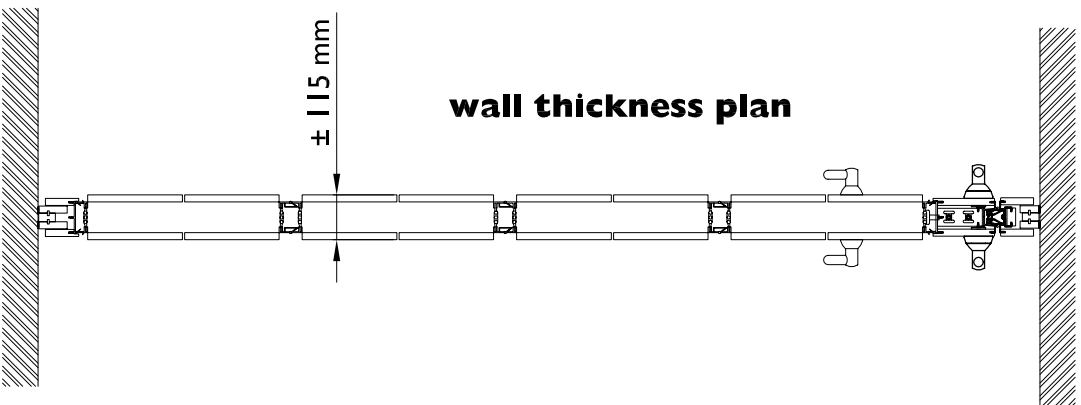
Revision Date

By

PHONIC-I13



wall thickness accordion



wall thickness plan



**designed
for space**

movable walls &
folding partitions
Pantofogen, The Netherlands

Phonic general
width dimensions

Date	1:30	
Scale	A4	
Size	FR	
Drawn		
Revision	Date	By

PHONIC-120